

# A NEW DIMENSION IN MERCHANDISING SYSTEMS



## Getting Ahead with Starform

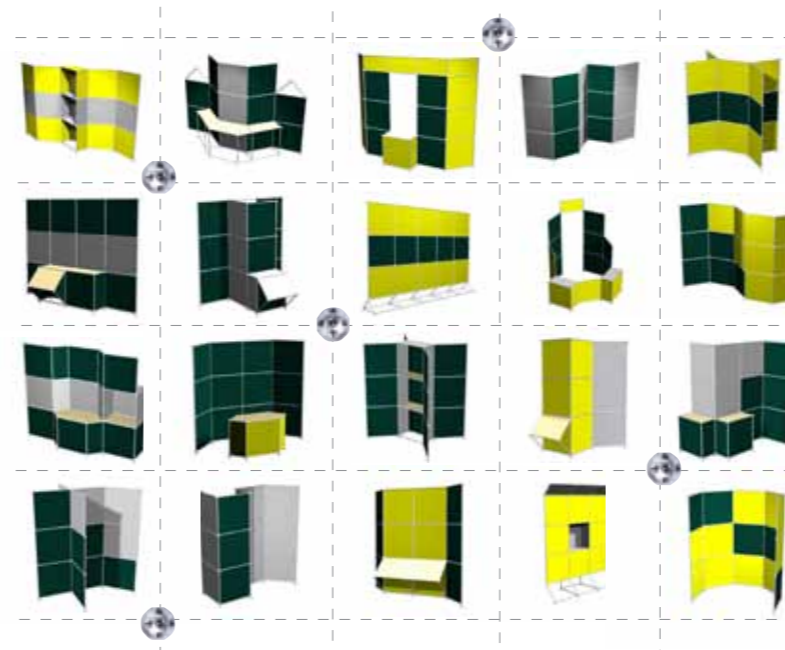
As one of Malaysia's leading exhibition and merchandising display systems provider, Formedge (M) Sdn Bhd, is no stranger to being at the forefront of the industry with its innovative and dynamic systems. The introduction of Starform has merely served to underline that hard-earned reputation.

## A wealth of ideas designed to inspire and excite

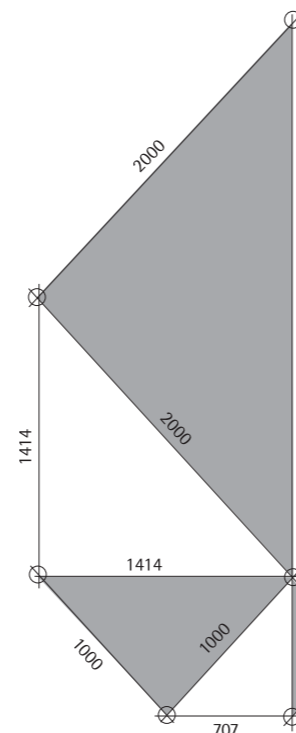
10 in 1 Package



20 in 1 Package



Life, as they say, is all about choices - a privilege that the Starform system accords users in abundance. Be spoilt for choice with Starform's staggering array of 10-in-1 or 20-in-1 design packages, which enables users to construct a different display system each time to suit different needs. Or should one's creative streak arise, simply create your own design and be the envy of the rest.

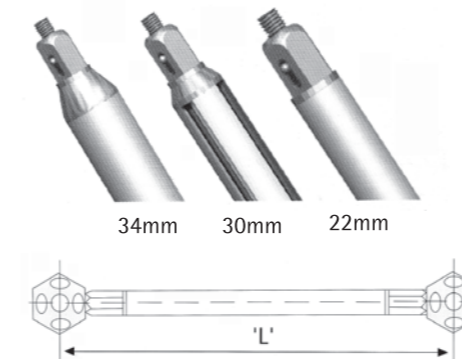


The tube has threaded ends on both sides. The length of Tube, 'L', is measured from axis to nodes.

The largest tube length is equal to the length of the side opposite the right angle of the preceding right angled triangle in a row of right angled triangle.



Curved Tubes  
Specifications only available in 22mm tube



STANDARD SPECIFICATION : TUBE			
L	O.D	O.D	O.D
250mm	22mm	30mm	34mm
353mm	22mm	30mm	34mm
500mm	22mm	30mm	34mm
707mm	22mm	30mm	34mm
1000mm	22mm	30mm	34mm
1414mm	22mm	30mm	34mm
2000mm	22mm	30mm	34mm

**STARFORM**  
Modular Construction Display System



## SHAPE YOUR DISPLAY NEEDS

Break free from conventional design constraints with Starform, the versatile breakthrough system which guarantees absolute freedom.



**FORMEDGE (M) SDN. BHD.**(242482-H)  
No. 22 & 24, Jalan Teknologi 3/1, Seksyen 3, Selangor Science Park 1, Kota Damansara, 47810 Petaling Jaya, Selangor, Malaysia.  
Tel: 603 61566222 • Fax: 603 61566555 • Email: enquiry@formedge.com.my



## MAKING AN IMPACT

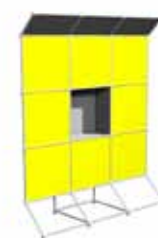
It takes an extraordinary system to enable one to stand out amidst the clutter of booths in the cavernous expanse of trade and exhibition halls and convention centers, and Starform has the necessary traits to stake that claim.

Its simple yet sturdy nature makes Starform an invaluable display tool for exhibitions and conventions. This is due to its mobility-friendly aspects and ease of assembly and dismantling. Coupled with its cutting edge aesthetics and striking chrome finish, Starform's presence looks set to enhance booth traffic and create an immediate impact among visitors.



Space and size is not a problem with Starform. The system, with its interchangeable designs and user-friendly features, is accommodative enough to ensure that it will cater to whatever environment you wish to create.

Be it a cozy booth which enables the customer to interact privately with business reps, or even a sprawling layout to accommodate a wide array of products for customers to browse, rest assured that Starform has the very solution.



A revolutionary modular construction and display system, Starform enables users to interchange designs to suit your needs to perfection. Coupled with its head-turning looks and ease of use, this makes Starform the system guaranteed to render the competition obsolete.

Quality, durability, flexibility in designs as well as cost effectiveness are but some of the hallmarks of the Starform system. Project a distinct corporate identity and create a lasting impression with the system multi-faceted features which enable you to customize your exhibits to your heart's desire.

## WHAT MAKES STARFORM UNIQUE?

The success of Starform's modular construction and display systems stems from its unique Node and Tube technology. The Nodes, which come in a chrome finish in sturdy ABS plastic with 18 threaded holes, join seamlessly with the aluminum tubes, which come in various sizes and diameters, to form an unrivalled display system.



First impressions, as they say, count the most. As such, accord your products the stunning presentations they deserve with Starform. Its space-age looks, unique characteristics and inimitable traits all serve as affirmations that if it is effective results, ease of use and stunning displays, one need look no further than Starform.

## STARFORM BECAUSE FIRST IMPRESSIONS COUNT



Effectively market your products directly and gain an immediate presence with Starform's wide selection of stand-alone units. The units, ready made to accommodate various needs, serve as a unique gateway to your company's products and make a suitable one-stop solution to every display needs.

Quality, durability, flexibility in designs as well as cost effectiveness are but some of the hallmarks of the Starform system. Project a distinct corporate identity and create a lasting impression with the system multi-faceted features which enable you to customize your exhibits to your heart's desire.

